



A COST-EFFECTIVE COLOUR DOME CAMERA FEATURING 480 LINES OF HORIZONTAL RESOLUTION AND A 2x VARI-FOCAL LENS.

Panasonic introduces the WV-CF212, a new colour dome camera. The WV-CF212 incorporates a 1/4-type CCD with 440,000 pixels, boasting a horizontal resolution of more than 480 lines and a signal to noise ratio of 50dB. Other features include a minimum illumination of 2 lx at F1.4 (1.2 lx at 20 IRE or more), Back-Light Compensation (BLC), Aperture Correction and Auto Tracing White Balance (ATW). The WV-CF212 produces natural and clear colour images in locations where lighting is insufficient or where backlighting is a problem, such as doorways and windows.

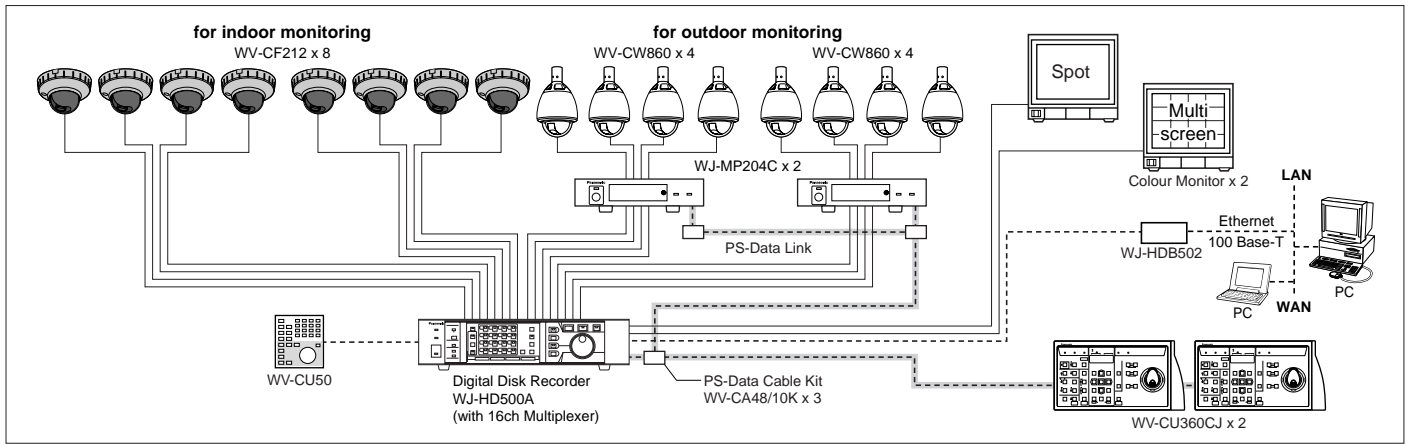
In addition, the WV-CF212 includes a 2x vari-focal lens with a focal length of 2.9 - 6.0mm (F1.4 - 1.7) as a standard feature. The field angle can be set during installation, ensuring images that match specific viewing requirements.

Featuring advanced specifications, as well as easy to install advantages, the WV-CF212 is the best choice for a wide variety of security applications.

KEY FEATURES

- 80mm diameter compact colour dome camera for indoor use application.
- 480-line horizontal resolution.
- Minimum illumination of 2 lx at F1.4 (WIDE), 1.2 lx at 20 IRE or more.
- 50dB signal to noise ratio.
- Built-in 2x variable-focal lens (2.9-6.0mm).
- 200° panning and 150° adjustable tilting angle.
- Electronic shutter from 1/50 to 1/10,000 sec.
- Built-in aperture level correction.
- Advanced digital adaptive Back-Light Compensation (BLC) capability.
- Video monitor output jack for on the spot checking of the lens angle setting.
- Vertical drive (VD2) sync capability with Panasonic system products.
- 12V DC operation.

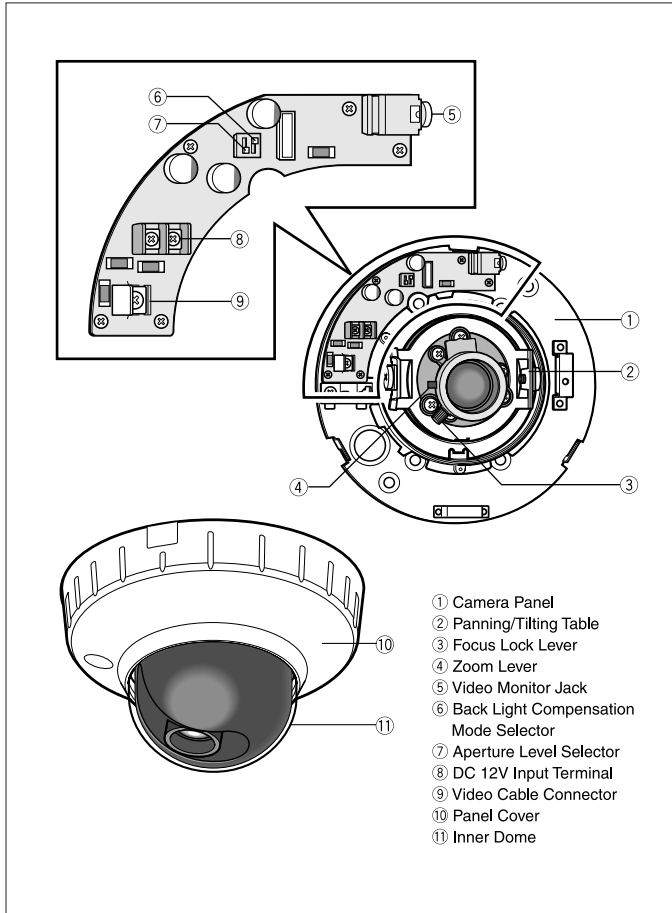
SYSTEM EXAMPLE



OPTIONAL COMPONENTS

<p>Digital Disk Recorders</p> <p>WJ-HD500A (16ch)</p> <p>WJ-HD200 (8ch)</p> <p>WJ-HD100</p> 	<p>System Controller</p> <p>WV-CU360CJ</p> 	<p>Data Multiplex Unit</p> <p>WJ-MP204C</p> 
--	--	--

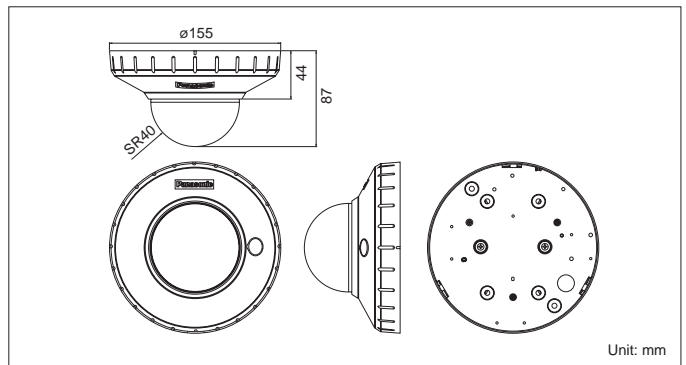
MAJOR OPERATING CONTROLS



SPECIFICATIONS [PAL]

Model No.	WV-CF212
Type	Dome type colour camera
Pick Up Device	752 (H) x 582 (V) pixels, interline transfer CCD
Scanning Area	3.6 (H) x 2.7 (V) mm, (Equivalent to 1/4" tube)
Scanning	625 lines/50 fields/25 frames
Scanning System	2:1 interlace
Synchronization	Internal or multiplexed vertical drive (VD2), selectable
Video Output	VBS 1.0V [p-p]/75Ω/PAL composite signal/BNC Connector x 1, RCA connector x 1
Horizontal Resolution	480 lines (at centre)
Minimum Illumination	2 lx at F1.4 (WIDE), 1.2 lx at 20 IRE or more
Signal to Noise Ratio	50dB (at AGC Off, Weight Off)
Aperture Correction	Sharp or Soft (selectable)
Electronic Light Control	equivalent to continuous variable shutter speeds between 1/50s and 1/15,000 s.
Lens Type	2x variable focal lens
Focal Length	2.9 - 6.0 mm
Aperture Ratio	F1.4 (Wide) to F176, close/F1.8 (Tele) to F176, close
Angle	Pan 200 degree (plus/minus 100 degree) Tilt 150 degree (plus/minus 75 degree)
Min. Object Distance	-1.2 m
Power Source	12V DC
Power Consumption	240mA
Ambient Operation Temperature	-10 °C - +50 °C
Dimensions (approx.)	ø155 (W) x 87 (H) mm
Weight (approx.)	0.33 kg

APPEARANCE



• Weights and dimensions are approximate. • Specifications are subject to change without notice. • These products may be subject to export control regulations.

DISTRIBUTED BY:

Panasonic

Panasonic is the brandname of Matsushita Electric.

Printed in Japan

WV-JKCF212T(2N-702A)