



HANDY HIGH-PERFORMANCE CAPABILITIES IN HIGHLY ECONOMICAL COLOUR DOME CAMERAS.

New from Panasonic, the WV-CS320 Series comes fully equipped with all required surveillance features, with colour camera, zoom lens, and pan-and-tilt mount integrated into a single unit.

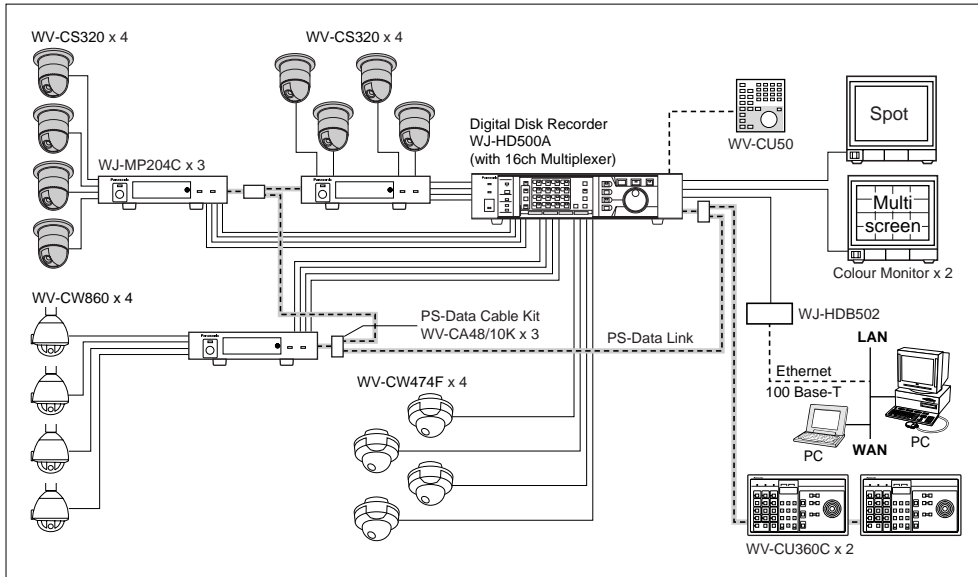
Up to ten pre-sets allow you to check key points instantly. Plus, to ensure a clear, easy-to-read image at all times, these cameras also come with 360° automatic panning, flip-a-chip feature that lets you track subjects directly below the camera, an image-hold feature that eliminates image breakup while changing camera position, and a 10x autofocus optical zoom lens.

High-performance, highly reliable, and highly economical WV-CS320 Series cameras are ideal for banks, shopping centres, retail, and car parking surveillance.

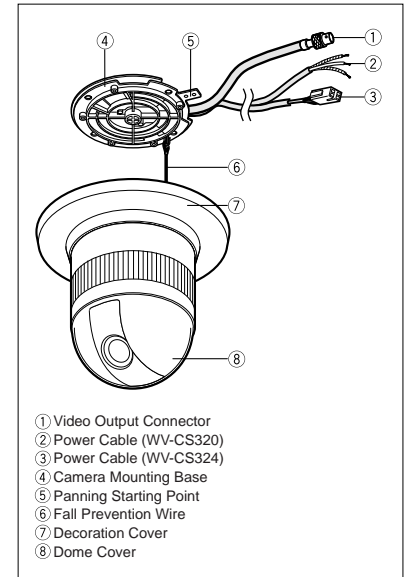
Key Features

- Compact ø110mm diameter dome-sized all-in-one colour dome cameras, for wide area surveillance applications.
- 1/4-type CCD image sensor with 752(H) x 582(V).
- 480-line horizontal resolution.
- Min. illumination of 2.0 lx. (AGC On(High))
- Electronic shutter speed from 1/50(off), to 1/10,000 seconds.
- Built-in flip-a-chip allows automatic 180° turn for improved tracking.
- AGC mode selection (Low/Mid/High)
- Image hold function during pre-set call.
- 16 alphanumeric character display.
- 10 preset positions.
- Auto-pan setting.
- Panning/ Tilting speed of max. 100°/second.
- 10x optical zoom function.
- Auto focus lens.
- Digital signal processing LSI's for high quality pictures; chroma averaging circuit, highlight aperture correction, pedestal adjustment and noise reduction selection.
- Multiplexed-coaxial data communication with Panasonic system products.
- On-screen set-up menu.
- Optional smoke and mirror type dome covers, and mounting brackets are available to suit the various installations.

SYSTEM EXAMPLE



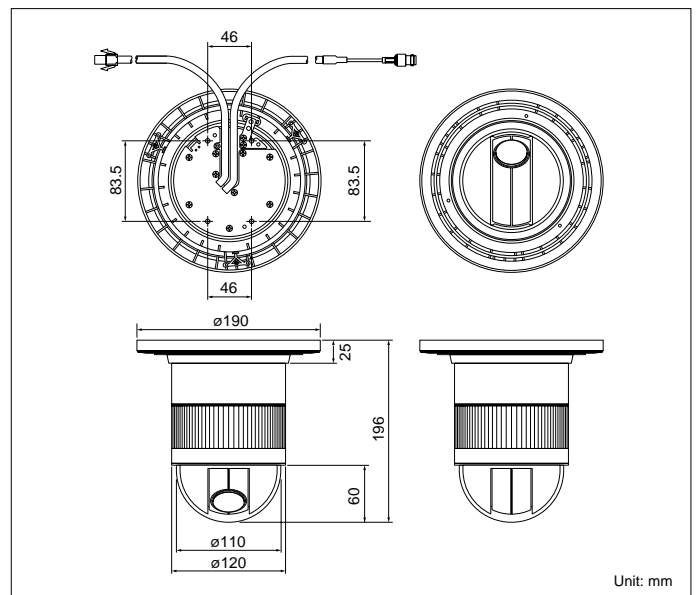
CONSTRUCTION



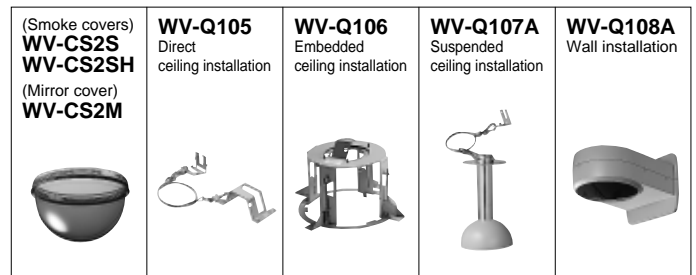
SPECIFICATIONS PAL

Model No	WV-CS320	WV-CS324
Scanning Area	1/4-type CCD image sensor, 3.65mm(H) x 2.71(V)mm	
Effective Pixels	752(H) x 582(V) pixels	
Synchronization	Internal/Line-lock/Multiplexed vertical drive(VD2)	
Scanning	625 lines/50 fields/25 frames Horizontal: 15.625 kHz, Vertical: 50Hz	
Resolution	H 480-line V 400-line	
Minimum Illumination	2.0 lx [at AGC On (HIGH)](at F1.4, Wide)	
Signal-to-Noise Ratio	50dB (at AGC Off)	
AGC	On (LOW, MID, HIGH)/Off selectable	
Character Display	16 Alphanumeric characters	
Preset Items	10 preset position	
Auto Mode	Auto Pan/Off	
Function	1 Flip a Chip 2 Home Position 3 Pan Limit 4 Image Hold 5 D.N.R Selection : LOW, HIGH 6 Demo Mode (Up-Side Down)	
Zoom Speed	Approx. max. 3.8 sec. (TELE ~ WIDE) in manual mode Approx. max. 1.3 sec. (TELE ~ WIDE) in preset mode	
Focus Speed	Approx. max. 3.0 sec. (FAR ~ NEAR, at Zoom:TELE) in manual mode	
Auto Focus	MANUAL/AUTO (linked Pan, Tilt, Zoom)	
Iris	ALC(BLC ON, OFF)/Manual	
Electronic Shutter	1/50(Off), 1/120, 1/250, 1/500, 1/1,000, 1/2,000, 1/4,000, 1/10,000 sec.	
Zoom Ratio	10x	
Maximum Aperture Ratio	F1.4(Wide) ~ F2.0(Tele)	
Focal Length	4.2 ~ 42mm (10x)	
Angle Field of View	H 47°(WIDE) ~ 4.9°(TELE) V 36°(WIDE) ~ 3.7°(TELE)	
Panning Range	360°endless	
Tilting Range	0° ~ 92°	
Panning Speed	Manual : approx. 1.0° ~ 100°/sec. 8-step/64-step Preset : approx. 100°/sec.	
Tilting Speed	Manual : approx. 1.0° ~ 100°/sec. 8-step/64-step Preset : approx. 100°/sec.	
Controller Interface	Multiplex-Coaxial (pan/tilt, lens, 10-preset position, home position)	
Power Supply	AC220 ~ 240V 50Hz	AC24V, 50Hz
Power Consumption	12W	10W
Ambient Operating Temperature	-10°C ~ +50°C Maximum humidity less than 90%	
Dimensions	120(ø) x 196(H)mm, 110mm (Dome size)	
Weight	Approx. 1.5kg	

APPEARANCE



OPTIONAL ACCESSORIES



- Weights and dimensions are approximate.
- Specifications are subject to change without notice.
- These products may be subject to export control regulations.

DISTRIBUTED BY:

Panasonic

Panasonic is the brandname of Matsushita Electric.
Printed in Japan
WV-JKCS320T(2N-703)