



The Panasonic WV-CU360CJ System Controller ergonomically designed to control Panasonic's dome cameras through WJ-MP204C Data Multiplexed Unit, Video Multiplexers, Digital Disk Recorders, Matrix System150 and System850.

The WV-CU360CJ System Controller enable control of the pan/tilt heads, camera lenses (zoom and auto-focus) by the 3-Dimensional joystick positioner quickly and accurately.

The palm rest on the right hand side of the controller allows comfortable operation for long periods of time.

This highly advanced video surveillance System Controller; WV-CU360CJ delivers optimum performance at a competitive price.

Key Features

The WV-CU360CJ System Controller enables the following key functions.

- Camera selection
- Alarm (LED/Suspend/Recall/Reset)
- Setup menu

Remote control of the Panasonic dome camera series via PS•Data Link mode through WJ-MP204C.

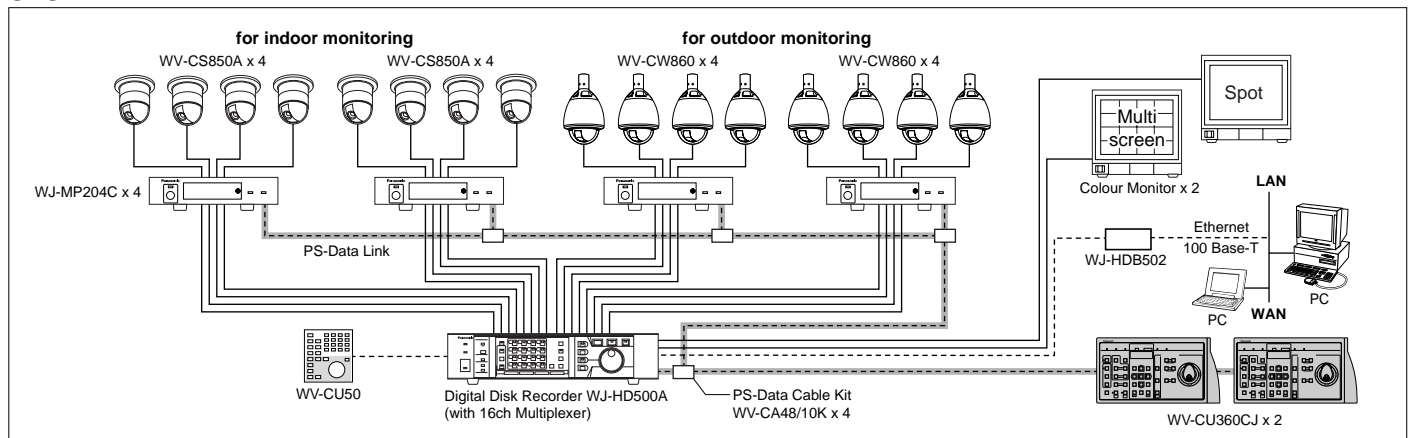
- Camera functions: Super Dynamic II /Electronic Shutter/Electronic Sensitivity/Automatic Gain Control/Site Alarm
- Lens function: Iris/Focus/Auto Focus/Zoom
- Housing: Defroster/Wiper/Auxiliary 1 & 2
- Pan/Tilt: slow Pan/slow Tilt/Auto Pan/Auto Sort/Auto Sequence/Random Pan/ Preset/Home, and finely turned panning/tilting (WV-CS850A only)

Remote control of the WJ-FS409/FS416/WJ-FS616C Video Multiplexers via Panasonic Security Data (PS•Data) Link mode.

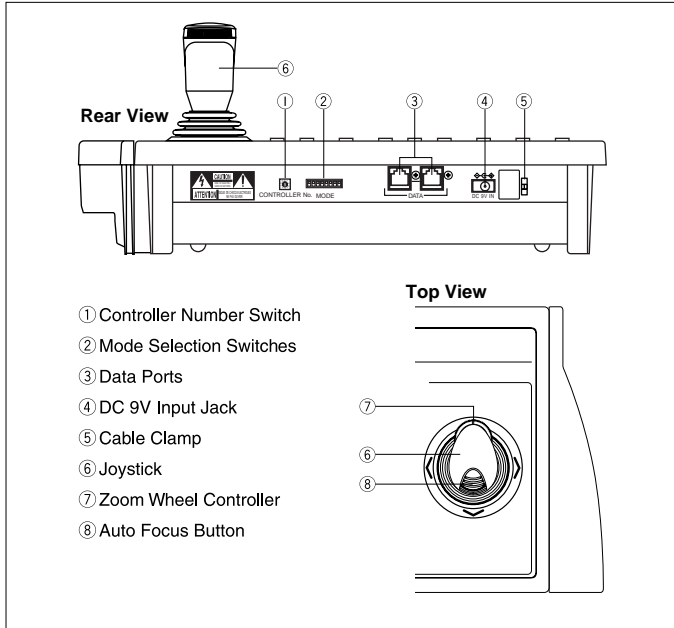
Multiscreen/Multiscreen Sequence/Multiscreen Sequence Stop/ Multiscreen Pause/Multiscreen Backward Sequence/Multiscreen Forward Sequence/Forward step/Reverse step/Display Mode (Multiscreen/Still)/Monitor Selection

Remote control of the System850 and System150 Matrix Systems via RS485 communication Data.

SYSTEM EXAMPLE



MAJOR OPERATING CONTROLS

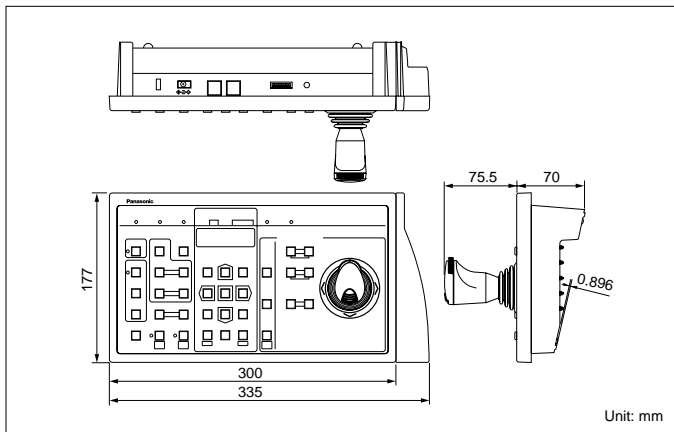


SPECIFICATIONS PAL

Power Source	9V DC, 400mA Use only AC Adapter model CU35AD270G (or CU35AD271B)
Power Consumption	10W
Data Output/Input Port	6-conductor modular jack (RS-485, Full Duplex)
Switching Functions (WJ-MP204C)	Camera selection
Controller Number	1-8 (Rotary Switch)
Unit Address Selection	1-99
Monitor Number Selection	1-99
Camera Number Selection	1-199
Lens Functions	Iris: Open/Close/Preset (only with DC control lens) Focus: Near/Far/Auto Focus Zoom: Wide/Tele
Housing	Defroster: On/Off Wiper: On/Off Auxiliary 1: On/Off Auxiliary 2: On/Off
Pan/Tilt	Manual Pan: Right/Left Manual Tilt: Up/Down Auto Pan, Auto Sort, Auto Sequence, Random Pan, Preset Position, Home Position, Camera Patrol
Other Camera Controls	Camera Setup, Camera Function
System Operation	Camera selection, Alarm (Display/Suspend/Recall/Reset), Setup
Ambient Operating Temperature	-10°C - +50°C
Ambient Operating Humidity	Less than 90%
Dimensions	335 (W) x 145.5 (H) x 177 (D) mm
Weight	1.4 kg

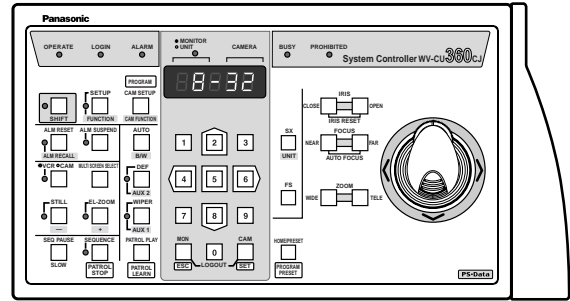
AC Adapter....1pc 6-conductor Modular Cable Assembly....1pc

APPEARANCE

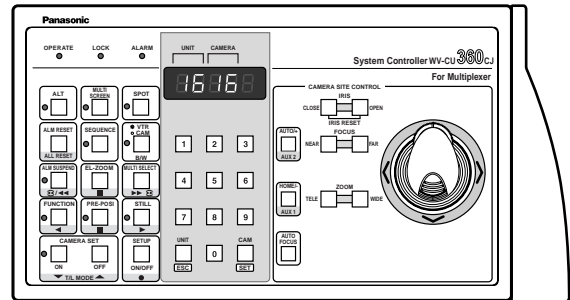


OPERATION SHEETS

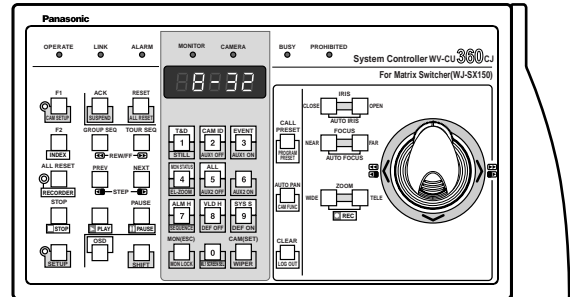
for PS-DATA



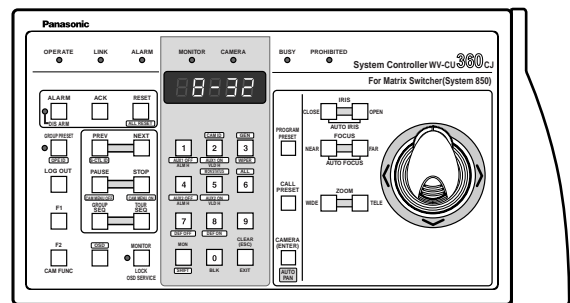
for Video Multiplexer (WJ-FS409/416/616C)



for WJ-SX150 (Matrix System150)



for WJ-SX850 (Matrix System850)



• Weights and dimensions are approximate. • Specifications are subject to change without notice. • These products may be subject to export control regulations.

DISTRIBUTED BY:

Panasonic

Panasonic is the brandname of Matsushita Electric.
 Printed in Japan
 WV-JKCU360CJT(2N-655E)